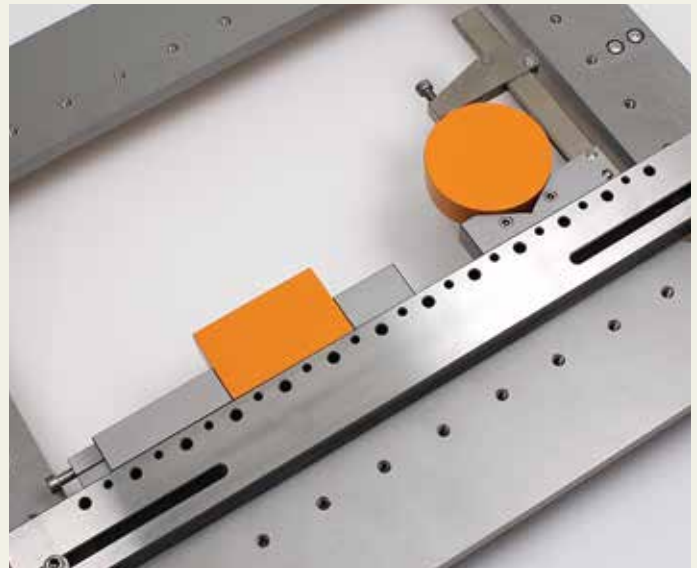


The EconoRuler system

The EconoRuler have been developed for clamping medium-sized and large work pieces in machines with a parallel or U-shaped machine table, as well as in machines with a frame table.

A comprehensive range of accessories enables a wide variety of applications.

- + Robust design
- + Flexible – use the rulers in pair or alone, depending on your set-up
- + Highest cutting rates – locate the work piece on the machine zero line
- + Collision free set-up – use spacers under the rulers
- + Fitting wide range of machine tables
- + Enables usage of various work piece sizes.

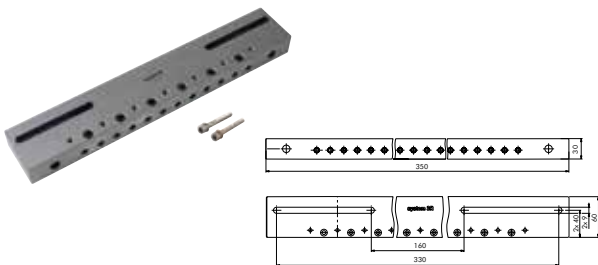


Note: Upon request – Other EconoRuler length can be produced.

EconoRuler, 3R-209-350

Universal ruler for mounting directly on the machine table.
Fits machine tables with hole pitch 160-330 mm.

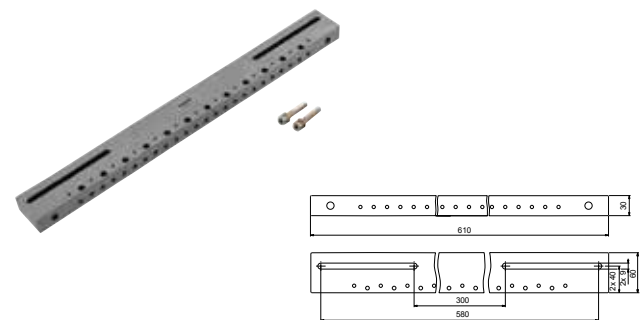
- Dimensions: 350x60x30 mm
- Clamping range: 160-330 mm.



EconoRuler, 3R-209-610

Universal ruler for mounting directly on the machine table.
Fits machine tables with hole pitch 300-580 mm.

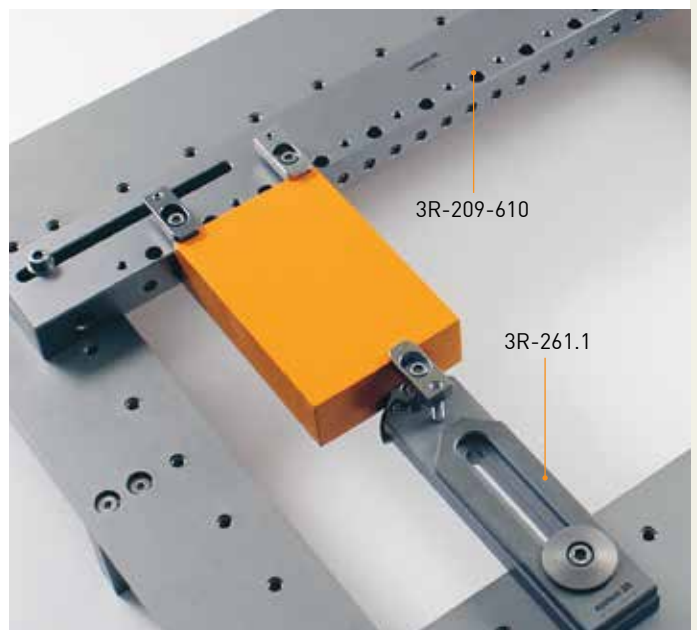
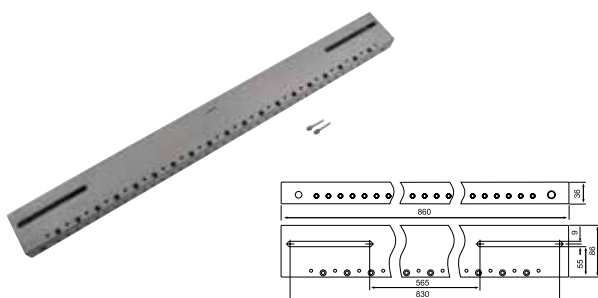
- Dimensions: 610x60x30 mm
- Clamping range: 300-580 mm.



EconoRuler, 3R-209-860

Universal ruler for mounting directly on the machine table.
Fits machine tables with hole pitch 565-830 mm.

- Dimensions: 860x86x36 mm
- Clamping range: 565-830 mm.



EconoRuler kits

EconoRuler kit

Kit for clamping rectangular workpieces.



3R-209-350.1

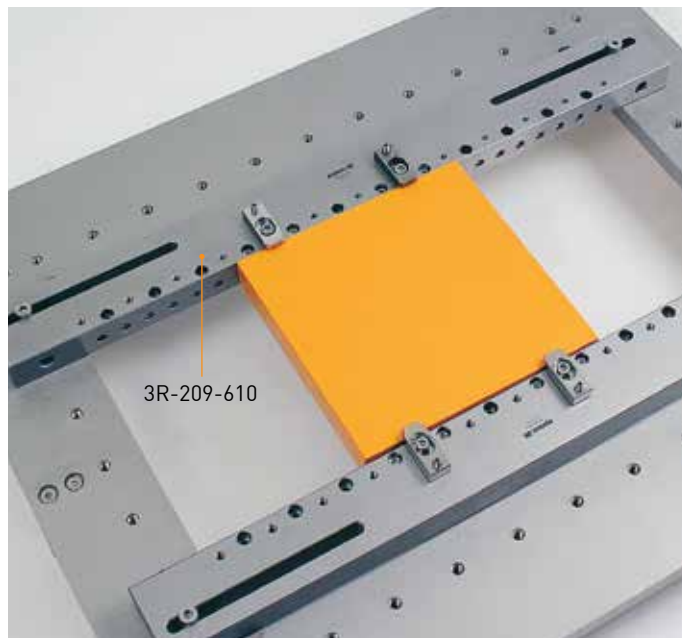
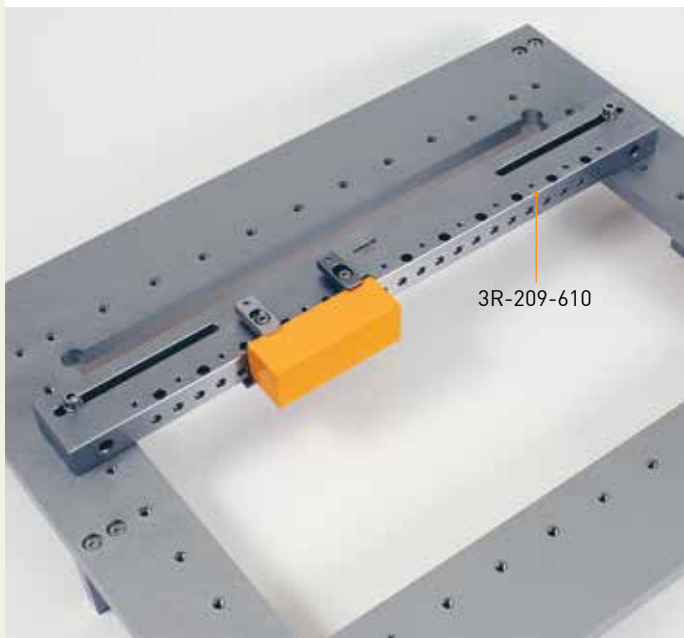
3R-209-350	Ruler, 350 mm	x1
3R-333-03	Allen key, 3 mm	x1
3R-333-05	Allen key, 5 mm	x1
	+ Accessories	

3R-209-610.1

3R-209-610	Ruler, 610 mm	x1
3R-333-03	Allen key, 3 mm	x1
3R-333-05	Allen key, 5 mm	x1
	+ Accessories	

3R-209-860.1

3R-209-860	Ruler, 860 mm	x1
3R-333-03	Allen key, 3 mm	x1
3R-333-05	Allen key, 5 mm	x1
	+ Accessories	



EconoRuler kit

Kit for clamping rectangular workpieces.



3R-209-350.2

3R-209-350	Ruler, 350 mm	x2
3R-333-03	Allen key, 3 mm	x1
3R-333-05	Allen key, 5 mm	x1
3R-A209	Clamps	x2
	+ Accessories	

3R-209-610.2

3R-209-610	Ruler, 610 mm	x2
3R-333-03	Allen key, 3 mm	x1
3R-333-05	Allen key, 5 mm	x1
3R-A209	Clamps	x2
	+ Accessories	

3R-209-860.2

3R-209-860	Ruler, 860 mm	x2
3R-333-03	Allen key, 3 mm	x1
3R-333-05	Allen key, 5 mm	x1
3R-A209	Clamps	x2
	+ Accessories	

EconoRuler kits

EconoRuler kit

Kit for clamping rectangular workpieces.



3R-209-350.3

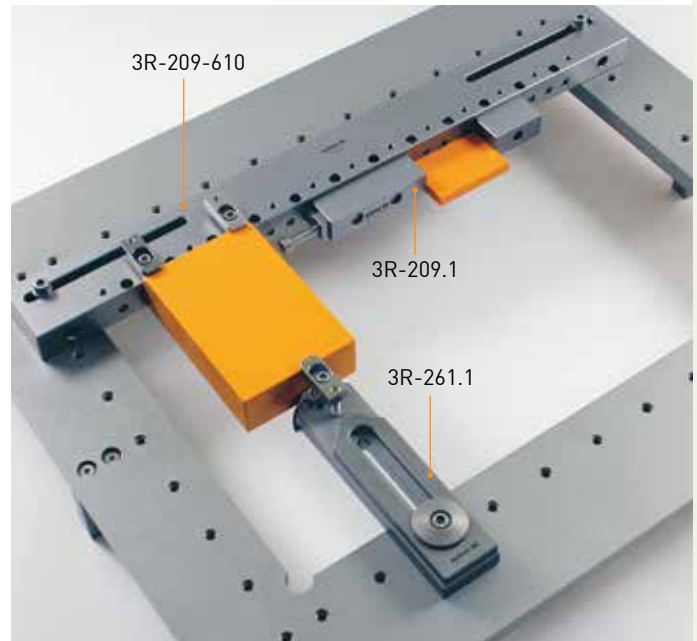
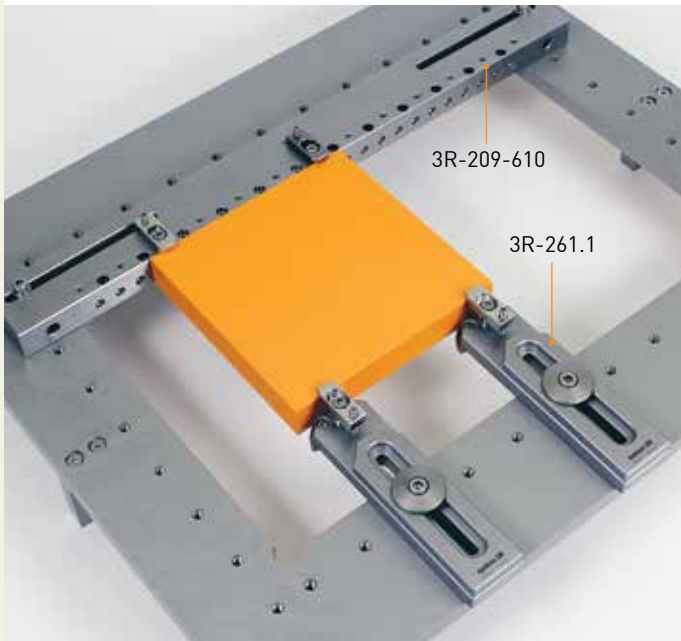
3R-209-350	Ruler, 350 mm	x1
3R-261.1	Support	x2
3R-333-03	Allen key, 3 mm	x1
3R-333-05	Allen key, 5 mm	x1
	+ Accessories	

3R-209-610.3

3R-209-610	Ruler, 610 mm	x1
3R-261.1	Support	x2
3R-333-03	Allen key, 3 mm	x1
3R-333-05	Allen key, 5 mm	x1
	+ Accessories	

3R-209-860.3

3R-209-860	Ruler, 860 mm	x1
3R-261.1	Support	x2
3R-333-03	Allen key, 3 mm	x1
3R-333-05	Allen key, 5 mm	x1
	+ Accessories	



EconoRuler kit

Kit for clamping rectangular workpieces.



3R-209-350.4

3R-209-350	Ruler, 350 mm	x1
3R-261.1	Support	x1
3R-209.1	Ruler vice, Econo	x1
3R-333-03	Allen key, 3 mm	x1
3R-333-05	Allen key, 5 mm	x1
	+ Accessories	

3R-209-610.4

3R-209-610	Ruler, 610 mm	x1
3R-261.1	Support	x1
3R-209.1	Ruler vice, Econo	x1
3R-333-03	Allen key, 3 mm	x1
3R-333-05	Allen key, 5 mm	x1
	+ Accessories	

3R-209-860.4

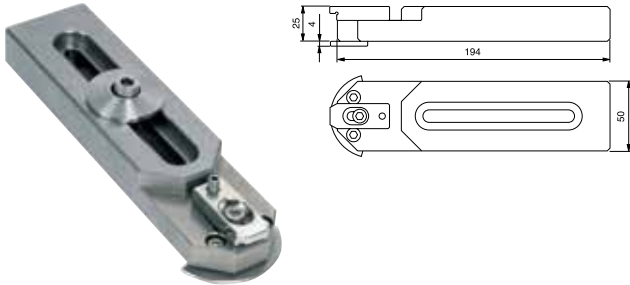
3R-209-860	Ruler, 860 mm	x1
3R-261.1	Support	x1
3R-209.1	Ruler vice, Econo	x1
3R-333-03	Allen key, 3 mm	x1
3R-333-05	Allen key, 5 mm	x1
	+ Accessories	

EconoRuler accessories

Support, 3R-261.1

For mounting directly on the machine table.

- Adjustable length 35-135 mm
- Recommended maximum workpiece weight 20 kg
- Includes 5 mm spacer for collision free set-up
- Weight 1.5 kg.



Ruler vice, Econo, 3R-209.1

Movable jaws of SuperVice design provide a wide clamping range for rectangular workpieces. Detachable Z-support tabs ensure simple setting-up.

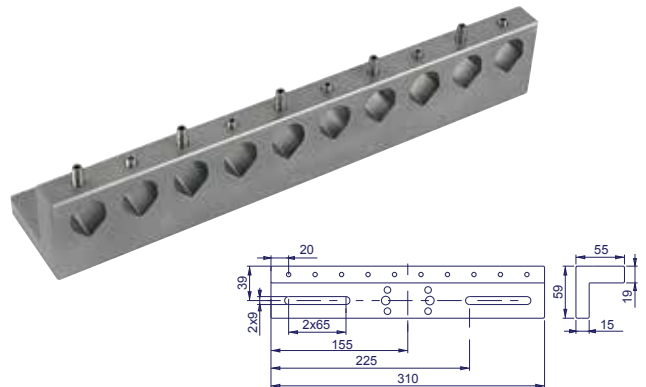
- Recommended maximum workpiece weight with one vice: 15 kg
- Recommended maximum workpiece weight with two vices: 200 kg
- Tightening torque 8 Nm
- Weight 0.7 kg.



Multiple holder, Econo, D-30214

Multiple holder for ten workpieces \varnothing 2-20 mm at the same time. Mount direct on table or with a levelling head.

- C-C = 30 mm
- Squareness 0,1 mm/100 mm
- Weight 3.1 kg.



Vee holder, Econo, 3R-209.3

For clamping round workpieces. To be mounted on EconoRuler.

- Clamping range: \varnothing 25-130 mm
- Weight 0.9 kg.



Clamps, 3R-A209

Clamps of aluminium for mounting EconoRuler.

- Supplied in sets of 2.



Universal holder, Econo, 3R-209.33

For clamping round workpieces. To be mounted on EconoRuler.

- Clamping range \varnothing 15-110 mm or 120 x 120 mm
- Weight 1.5 kg.

