

# Liechti Powerful Solutions

# Safety glass

## go-Mill 350

We're pleased to provide an offer based on your specific requirements. We've got the right solution for you!

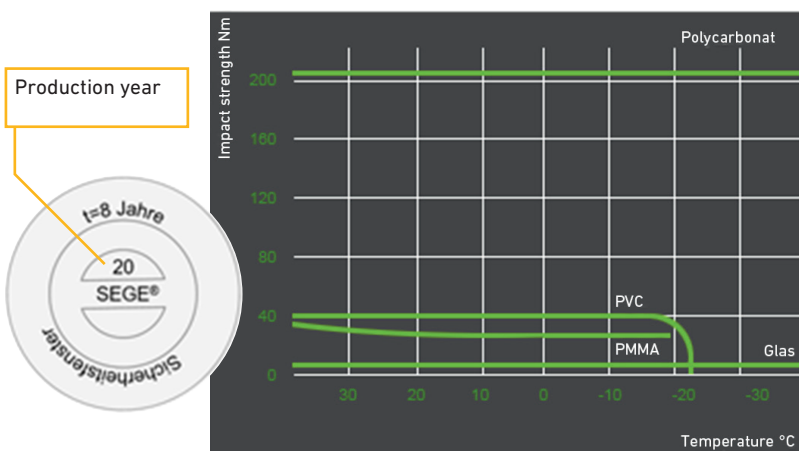
### Always safety first

To always assure the safety of your employees, we'd like to kindly remind on the need, to exchange the safety glass of the machine every eight years as per the safety glass label.

**This upgrade at your facility will be completed within one working day.**

- Safety glass are marked with an expiry date – please check this directly on your machine
- Protect your employees
- Exchanging the safety-glass pane is necessary after eight years

**Please contact us for more information!**



### Four steps to increase your profit



### Plan Your Profit

Solution engineering of your technical and economical production requirements

### Performance

g-Technology for highest quality and quantity output

### Partnership

Support and performance updates over entire machine life

### Profitability Increase

# Liechti Powerful Solutions

## Safety glass

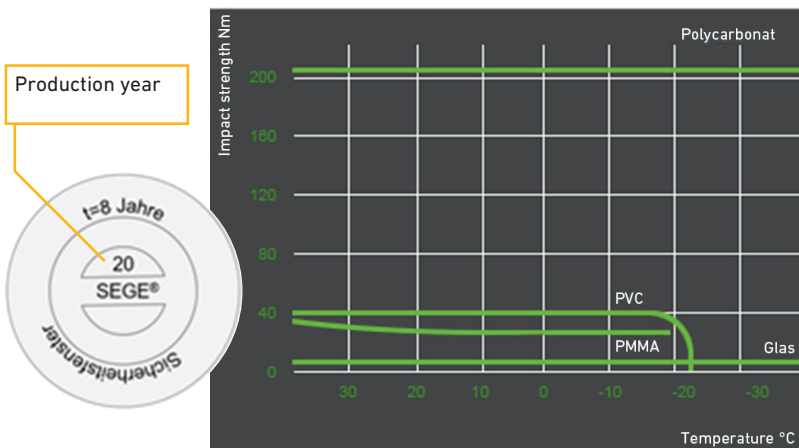
### Always safety first

To always assure the safety of your employees, we'd like to kindly remind on the need, to exchange the safety glass of the machine every eight years as per the safety glass label.

This upgrade at your facility will be completed within one working day.

- Safety glass are marked with an expiry date – please check this directly on your machine
- Protect your employees
- Exchanging the safety-glass pane is necessary after eight years

Please contact us for more information!



## Turbomill 800g

We're pleased to provide an offer based on your specific requirements. We've got the right solution for you!

### Special Offer

Four steps to increase your profit



### Plan Your Profit

Solution engineering of your technical and economical production requirements

### Performance

g-Technology for highest quality and quantity output

### Partnership

Support and performance updates over entire machine life

### Profitability Increase

# Liechti Powerful Solutions

# Safety glass

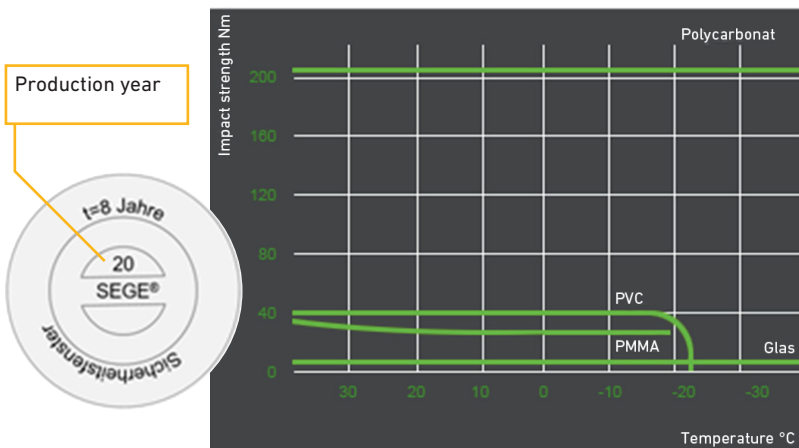
### Always safety first

To always assure the safety of your employees, we'd like to kindly remind on the need, to exchange the safety glass of the machine every eight years as per the safety glass label.

**This upgrade at your facility will be completed within one working day.**

- Safety glass are marked with an expiry date – please check this directly on your machine
- Protect your employees
- Exchanging the safety-glass pane is necessary after eight years

**Please contact us for more information!**



# Turbomill 1400g

We're pleased to provide an offer based on your specific requirements. We've got the right solution for you!



**Four steps to increase your profit**



### Plan Your Profit

Solution engineering of your technical and economical production requirements

### Performance

g-Technology for highest quality and quantity output

### Partnership

Support and performance updates over entire machine life

### Profitability Increase

## Liechti Powerful Solutions

# A-axis analogue sensor upgrade

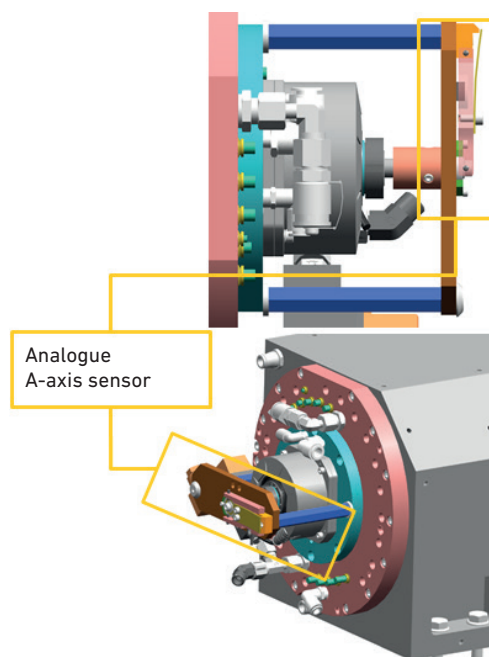
### Increased process stability = increased productivity

For this reason, we offer an upgrade of the A-axis with an analogue sensor instead of using the existing digital sensor by a Liechti field service engineer.

**This upgrade at your facility will be completed within two working days.**

- Based on proven references, we offer you this preventive upgrade to ensure the highest process stability of your airfoil production
- Drastic reduction of the sensor calibration time to reduce downtime to a minimum
- Eliminate disturbances connected to chuck monitoring

**Please contact us for more information!**



## Turbomill

We're pleased to provide an offer based on your specific requirements. We've got the right solution for you!

### Special Offer

Four steps to increase your profit



#### Plan Your Profit

Solution engineering of your technical and economical production requirements

#### Performance

g-Technology for highest quality and quantity output

#### Partnership

Support and performance updates over entire machine life

#### Profitability Increase

# Liechti Powerful Solutions

# Siemens control upgrade

## Turbomill g-Mill

We're pleased to provide an offer based on your specific requirements. We've got the right solution for you!

### Optimized process performance = increased productivity

This is why we assist you in upgrading the Siemens control to the current standard. This is done by a Liechti CNC control expert.

Upgrade solution line advanced to operate.

- The Siemens control upgrade at your facility includes:
  - New axis drive cards and power supplies
  - Upgrade of control to current standards

**To avoid long lasting downtimes of phased out control elements, we recommend to carry out this preventive upgrade now.**

- With this upgrade, we guarantee the availability of spare parts for the next 10 years
- Including new functions such as kinematics options and other cycles with dedicated training
- Improved profile calculation for an optimized accuracy and performance in five axis mode
- Bring the look and feel of your machine HMI to the same level for maximizing the standardization of your entire fleet

**Please contact us for more information!**



**Four steps to increase your profit**



### Plan Your Profit

Solution engineering of your technical and economical production requirements

### Performance

g-Technology for highest quality and quantity output

### Partnership

Support and performance updates over entire machine life

### Profitability Increase

## Liechti Powerful Solutions

# Kinematic option setup and training

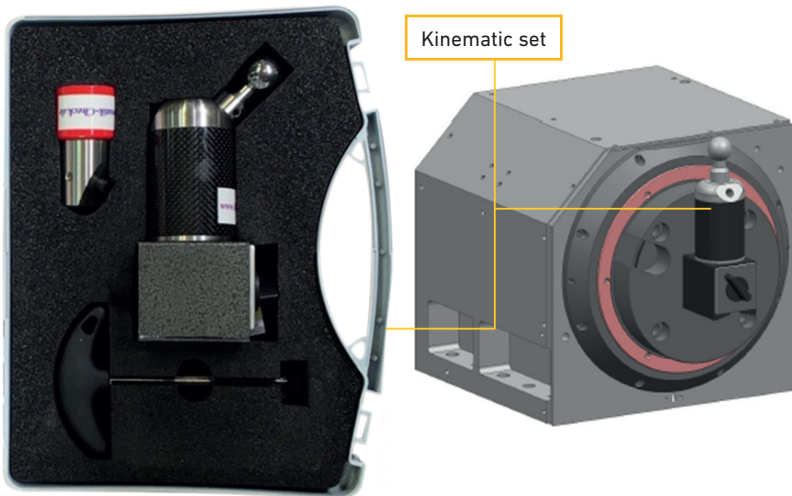
### Increased process stability = increased productivity

For this reason, we assist you in equipping your blisk and blade machining center with the kinematic set. We also ensure that necessary software update is completed and train your employees.

### Within two working days, we take care of the implementation, setup and training at your facility!

- During the kinematic auto-cycle, the machine's zero points and setup values are controlled and corrected automatically
  - Improved machining accuracy
  - Improved machine zero points accuracy and optimized geometry
  - Continuously ensures an optimal kinematic thanks to an automatic cycle

### Please contact us for more information!



## Turbomill

## g-Mill

## go-Mill 350

We're pleased to provide an offer based on your specific requirements. We've got the right solution for you!

### Special Offer

### Four steps to increase your profit



#### Plan Your Profit

Solution engineering of your technical and economical production requirements

#### Performance

g-Technology for highest quality and quantity output

#### Partnership

Support and performance updates over entire machine life

#### Profitability Increase

# Liechti Powerful Solutions

# Process performance inspection

**Increased process efficiency = increased productivity**

This is why we offer a process performance inspection done by a highly experienced Liechti application engineer.

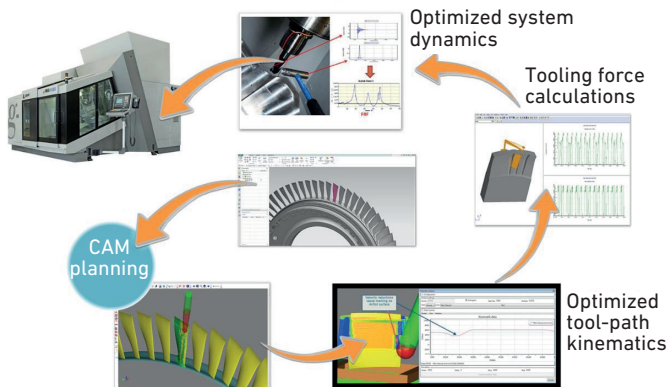
**Within five working days, we'll examine your whole machining process technology on site.**

The inspection includes the following:

- CAD geometry analysis
- Tool path analysis
- Process technology analysis (tooling, fixturing)
- On-site machine process analysis under production
- Subsequent process performance report
- Common discussion of process improvements and definition of the next steps

You receive a detailed process performance report indicating improvement potential in cycle time, quality or cost including a follow-up discussion and planning of process performance optimization.

**Please contact us for more information!**



## Turbomill g-Mill go-Mill 350

We're pleased to provide an offer based on your specific requirements. We've got the right solution for you!



**Four steps to increase your profit**



**Plan Your Profit**

Solution engineering of your technical and economical production requirements

**Performance**

g-Technology for highest quality and quantity output

**Partnership**

Support and performance updates over entire machine life

**Profitability Increase**

GF Machining Solutions AG  
Liechti Engineering  
Kanalweg 4  
3550 Langnau i.E. / Switzerland

Phone +41 34 409 35 55  
Email [liechti@georgfischer.com](mailto:liechti@georgfischer.com)  
[www.gfms.com](http://www.gfms.com)



# Liechti Powerful Solutions

# Geometry Optimization

**Increased blade geometry quality = Increased productivity and quality**

This is why we offer a blade geometry optimization, done by a highly experienced Liechti applications engineer.

**Within one working day, we'll optimize your blade geometry.**

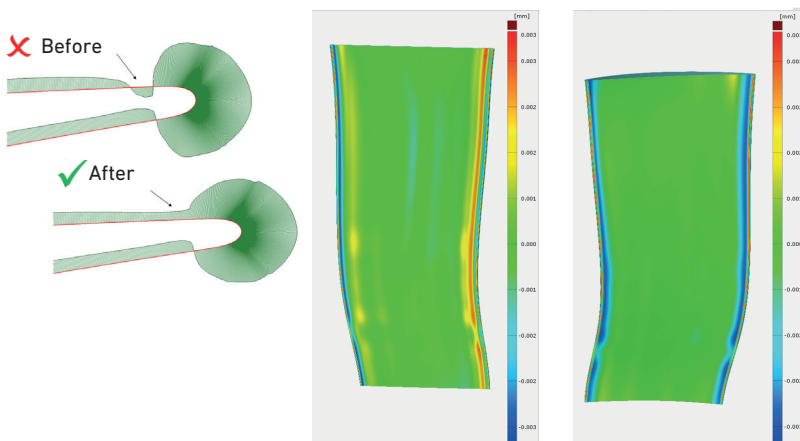
This includes the following:

- Analyze the curvature of your blade geometry sections
- Find and eliminate unnecessary reversal points
- Create a closed, uniform parametrized single surface

**You will receive the optimized blade geometry with an error comparison, based on your original surface.**

**The new surface can be delivered either in the Parasolid or IGES format.**

**Please contact us for more information!**



Planned for

**Turbomill**

**g-Mill**

**go-Mill 350**

We're pleased to provide an offer based on your specific requirements. We've got the right solution for you!

**Special Offer**

**Four steps to increase your profit**



**Plan Your Profit**

Solution engineering of your technical and economical production requirements

**Performance**

g-Technology for highest quality and quantity output

**Partnership**

Support and performance updates over entire machine life

**Profitability Increase**



## Liechti Powerful Solutions

# Machine inspection

### Increased uptime = increased productivity

For this reason, we offer a machine inspection, is done by a highly experienced Liechti field service engineer.

### Within three working days, we check your machine's condition.

- General machine condition
  - Inspection of the machine axis geometry
  - Check the condition of rails, ball screws, covers and auxiliary devices
  - Inspection of the milling spindle bearings
  - New zero-point setup of all machine axes (optional)
  
- Knowing the machine's exact condition allows you to plan eventual service interventions
- Possibility to avoid breakdowns
- Plan scheduled machine downtimes and avoid bottlenecks in production

Based on the detailed machine condition report that you receive from us, we create a plan together with you to ensure your machine reaches maximum profitability.

### Please contact us for more information!



## Turbomill

## g-Mill

## go-Mill

We're pleased to provide an offer based on your specific requirements. We've got the right solution for you!

### Special Offer



### Four steps to increase your profit



#### Plan Your Profit

Solution engineering of your technical and economical production requirements

#### Performance

g-Technology for highest quality and quantity output

#### Partnership

Support and performance updates over entire machine life

#### Profitability Increase

## Liechti Powerful Solutions

# Central lubrication upgrade (X- and Y- axis)

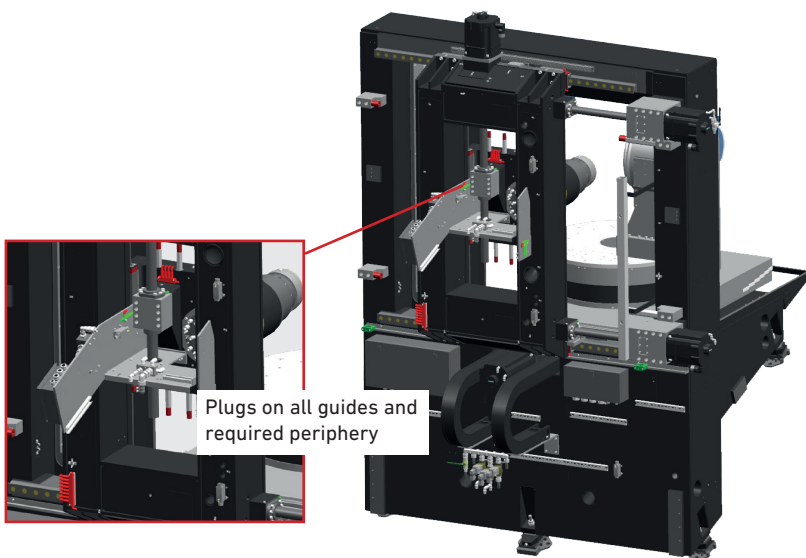
### Reduced manual maintenance = increased productivity

This is why we assist you in equipping your blisk machining center with a central lubrication system for the X- and Y- axis by a Liechti field service engineer.

**This upgrade at your facility will be completed within two working days.**

- Based on proven references, we offer this preventive upgrade to help you achieve the highest process stability
- Reduction of planned downtime due to maintenance
- Lifetime optimization of the mechanical elements through automated lubrication
- Optimization of the process stability and the repeated accuracy due to less wear of moving components

**Please contact us for more information!**



Plugs on all guides and required periphery

## g-Mill

We're pleased to provide an offer based on your specific requirements. We've got the right solution for you!

**Special Offer**



**Four steps to increase your profit**



### Plan Your Profit

Solution engineering of your technical and economical production requirements

### Performance

g-Technology for highest quality and quantity output

### Partnership

Support and performance updates over entire machine life

### Profitability Increase

GF Machining Solutions AG  
Liechti Engineering  
Kanalweg 4  
3550 Langnau i.E. / Switzerland

Phone +41 34 409 35 55  
Email [liechti@georgfischer.com](mailto:liechti@georgfischer.com)  
[www.gfms.com](http://www.gfms.com)

# Liechti Powerful Solutions

# IBS Rotary Inspection

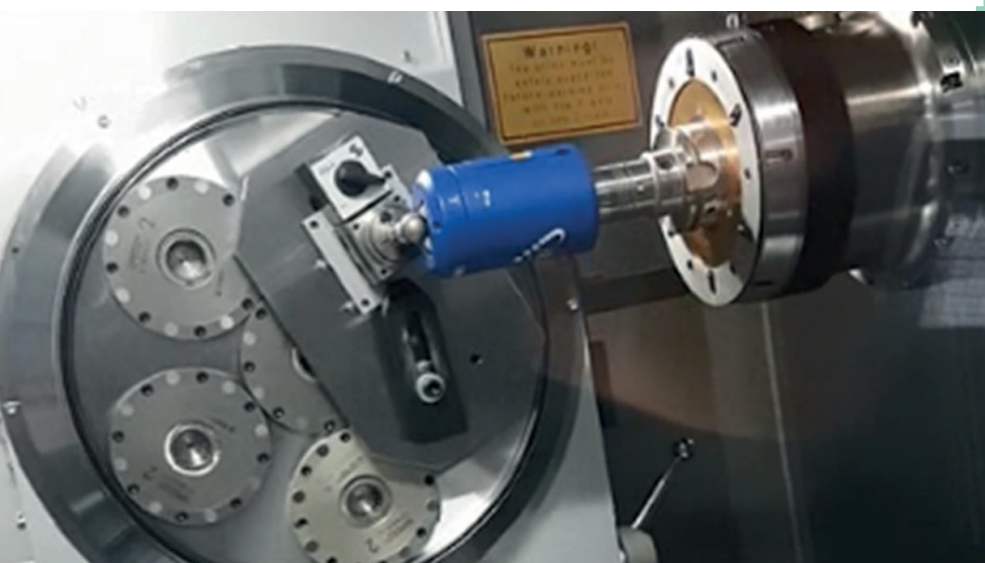
**The higher the process stability – The higher reaches your Productivity**

Therefore we offer you the IBS rotary inspection done by a highly experienced Liechti Field Service Engineer.

**Within 1 working day we execute the rotary inspection on your g-Mill fleet:**

- An experienced service engineer runs the rotary inspection and adjusts the compensation parameters.
- Knowing the machine exact condition allows you to plan eventual service interventions
- Keep the machining accuracy at the required level
- **You receive a detailed report from the rotary inspection and the actions taken to compensate any geometrical deviations.**

**Please contact us for more information!**



## g-Mill

We're pleased to provide you an offer based on your specific requirements. We've got the right solution for you!

### Special Offer



**Four steps to increase your profit**



#### Plan Your Profit

Solution engineering of your technical and economical production requirements

#### Performance

g-Technology for highest quality and quantity output

#### Partnership

Support and performance updates over entire machine life

#### Profitability Increase

GF Machining Solutions AG  
Liechti Engineering  
Kanalweg 4  
3550 Langnau i.E. / Switzerland

Phone +41 34 409 35 55  
Email [liechti@georgfischer.com](mailto:liechti@georgfischer.com)  
[www.gfms.com](http://www.gfms.com)

## Liechti Powerful Solutions

# Chip wash down Kit

**The higher the process Performance – The higher reaches your Productivity**

Therefore we offer you the chip wash down retrofit done by a highly experienced Liechti Field Service Engineer.

**Within 3 working days we equip your go-Mill 350 with the chip wash down kit:**

- Additional adjustable coolant nozzles in the working area
- Additional wipers for the Y- and Z- axis
- Additional wipers for the tail stock
- **Automatic chip flush down (especially for aluminum applications)**
- **Avoid chips in ATC, spindle nose and whole work area which disturb the process stability and part quality**

**Please contact us for more information!**



## go-Mill 350

We're pleased to provide you an offer based on your specific requirements. We've got the right solution for you!

### Special Offer



**Four steps to increase your profit**



#### Plan Your Profit

Solution engineering of your technical and economical production requirements

#### Performance

g-Technology for highest quality and quantity output

#### Partnership

Support and performance updates over entire machine life

#### Profitability Increase

GF Machining Solutions AG  
Liechti Engineering  
Kanalweg 4  
3550 Langnau i.E. / Switzerland

Phone +41 34 409 35 55  
Email [liechti@georgfischer.com](mailto:liechti@georgfischer.com)  
[www.gfms.com](http://www.gfms.com)

# Liechti Powerful Solutions

# Safety glass

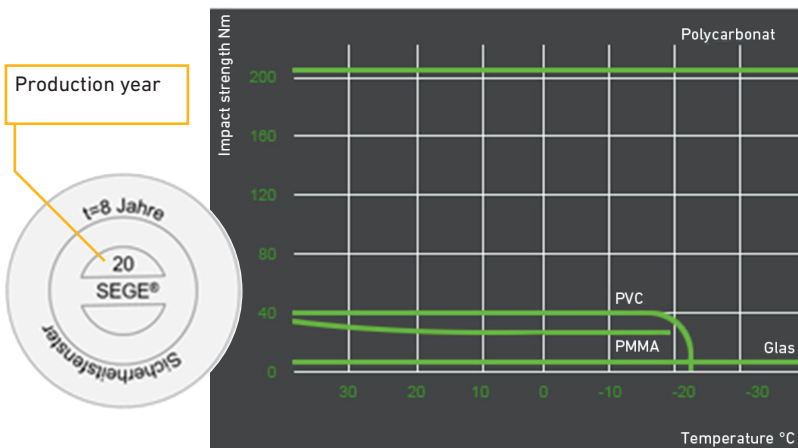
### Always safety first

To always assure the safety of your employees, we'd like to kindly remind on the need, to exchange the safety glass of the machine every eight years as per the safety glass label.

**This upgrade at your facility will be completed within one working day.**

- Safety glass are marked with an expiry date – please check this directly on your machine
- Protect your employees
- Exchanging the safety-glass pane is necessary after eight years

**Please contact us for more information!**



## g-Mill

We're pleased to provide an offer based on your specific requirements. We've got the right solution for you!

### Special Offer

**Four steps to increase your profit**



### Plan Your Profit

Solution engineering of your technical and economical production requirements

### Performance

g-Technology for highest quality and quantity output

### Partnership

Support and performance updates over entire machine life

### Profitability Increase